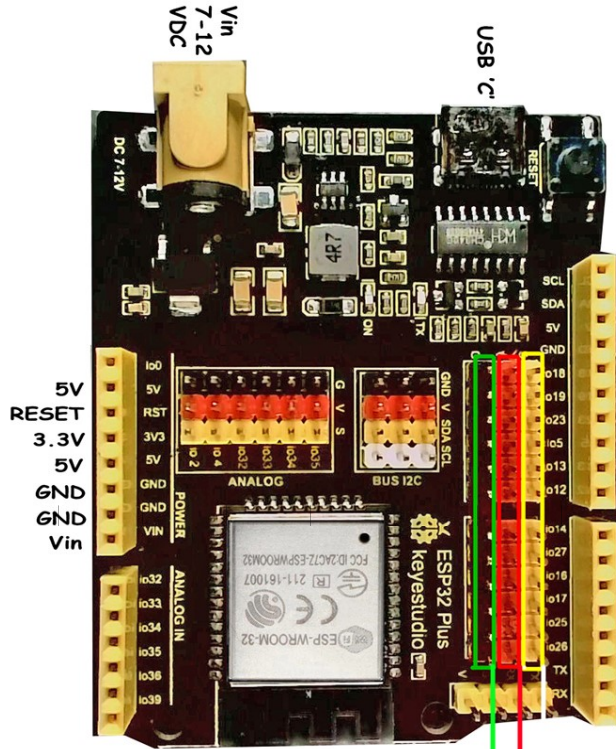


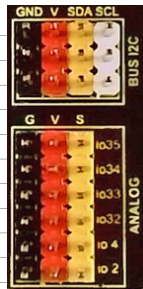
# ESP32 PLUS - PIN USAGE



Digital Signal  
Vcc(+3.3V)  
Ground

I2C INTERFACE PINS 21 AND 22  
CONNECTED TO THIS "BUS" OF PINS

PINS 32 to 35 ARE ADC1 PINS AND DO NOT CONFLICT WITH WIFI  
ALSO CAN BE USED AS DIGITAL INPUTS / OUTPUTS  
PINS 2 AND 4 ARE ADC2 PINS AND CAN NOT BE USED WITH WIFI



PIN	ESP32 PIN CAPABILITIES					FUNCTIONS / DEVICES ASSIGNED IN YOUR NEW DESIGN	OTHER NOTES
	DIGITAL OUTPUT	DIGITAL INPUT	INPUT PULLUP	OTHER SIGNAL	AVOID STRAP		
SCL							
SDA							
5V							
GND							
18	Y	Y	Y				
19	Y	Y	Y				
23	Y	Y	No				
5	Y	Y	No	AT BOOT	AVOID		
13	Y	Y	No				
12	Y	Y	No		AVOID		
14	Y	Y	Y	AT BOOT			
27	Y	Y	No	AT BOOT			
16	Y	Y	No				
17	Y	Y	Y				
25	Y	Y	No	AT BOOT			
26	Y	Y	No	AT BOOT			
TX	DO NOT USE: USB PROGRAMMING						
RX	DO NOT USE: USB PROGRAMMING						
	DIGITAL OUTPUT	DIGITAL INPUT	INPUT PULLUP	OTHER SIGNAL	ANALOG CHANNEL		
35	No	Y	No		ADC7		
34	No	Y	No		ADC6		
33	Y	Y	No		ADC5		
32	Y	Y	No		ADC4		
4	Y	Y	No		ADC10		
2	Y	Y	No		ADC12		